

EFD21-F - Emergency mushroom pushbutton box

Description:

The EFD21-F enclosure is made of aluminium alloy. It has a rectangular base and a cylindrical joint cover and is equipped with a red emergency mushroom pushbutton (RPFB) with pushing lock function and twist reset, circular label with yellow background and is usually supplied with electric contact.

Application:

The EFD21-F Emergency Mushroom Pushbutton is designed for the emergency shutdown of electric circuits.

Material:

Body and cover: copper free aluminium alloy.
Screws: stainless steel.
External ring nut: nickel plated brass.
Actuator: plastic material.

Certification characteristics:

Type of Protection: II 2GD EEx d IIC.
Class of Temperature: T6 / T85 °C, T5 / T100 °C.
Protection Degree: IP65.
Certificate: INERIS 05ATEX0030.
Ambient Temp.: -20 / +60 °C (+40 °C).
Zones: 1 – 21 – 2 – 22.

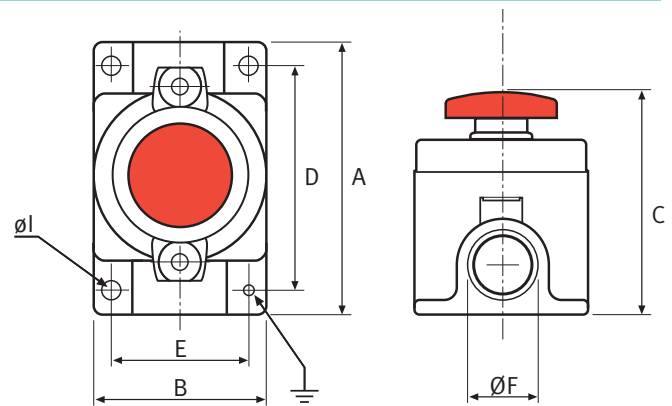
Threads:

NPT (ANSI B1.20.1).

Inhibiting treatments:

Standard epoxy painting RAL 7005.

Drawing EFD21-F



Legend:

A - Maximum external dimension.
B - Maximum external dimension.
C - Maximum external dimension.
D - Fixing holes wheelbase.
E - Fixing holes wheelbase.
Ø F - Cable entry diameter.
Ø I - Fixing holes diameter.

Grounding:

External: M6 grounding point.
Internal: M5 grounding point.

On request:

Different configuration of electric contacts.
Key mushroom pushbutton (red or black).
Mushroom pushbutton without lock function.
Other epoxy painting colours different from the standards.
Special inhibiting treatment.
Other texts of labels (as "STOP – EMERGENCY").
External protection guard.
Other type of threads [ISO7/1 (UNI6125), Metric x1.5 (ISO 261)].
Cable glands for armoured or non armoured cable.

EFD21-F - Data Table

Dimensions [mm] and approx. Weight [kg]

Type	Description	Contact	Dimensions			Entries Ø F [NPT]	Fixation			Weight
			A	B	C		D	E	Ø I	
EFD21-FB.01	Emergency Mushroom Pushbutton with mechanical block	1NC	125	80	155	2 x 3/4"	102	58	3x6	1,7
EFD21-FB.10	Emergency Mushroom Pushbutton with mechanical block	1NO	125	80	155	2 x 3/4"	102	58	3x6	1,7
EFD21-FB.11	Emergency Mushroom Pushbutton with mechanical block	1NO+1NC	125	80	155	2 x 3/4"	102	58	3x6	1,7
EFD21-FBCH.01	Emergency Mushroom Pushbutton with Key & mechanical block	1NC	125	80	155	2 x 3/4"	102	58	3x6	1,7
EFD21-FBCH.10	Emergency Mushroom Pushbutton with Key & mechanical block	1NO	125	80	155	2 x 3/4"	102	58	3x6	1,7
EFD21-FBCH.11	Emergency Mushroom Pushbutton with Key & mechanical block	1NO+1NC	125	80	155	2 x 3/4"	102	58	3x6	1,7

Note: 1) RPFB rated current and voltage: 6 A – 240 Vac or 10 A – 24 Vac.
2) EFD21-F: Max. n. 2+2 contacts installed in parallel.
3) _CH = with key; _B = with block (see table above).

Release date 2010-08-03 – Updated 2013-07-25 - A3

This datasheet does not constitute any contract obligation.

Pepperl+Fuchs reserves the right to modify the products herein illustrated without prior notice. Copyright Pepperl+Fuchs srl - Italy: +39 039 6292 1

Pepperl+Fuchs Group
www.pepperl-fuchs.com

USA: +1 330 486 0002
pa-info@us.pepperl-fuchs.com

Germany: +49 621 776 2222
pa-info@de.pepperl-fuchs.com

Singapore: +65 6779 9091
pa-info@sg.pepperl-fuchs.com

PEPPERL+FUCHS
PROTECTING YOUR PROCESS