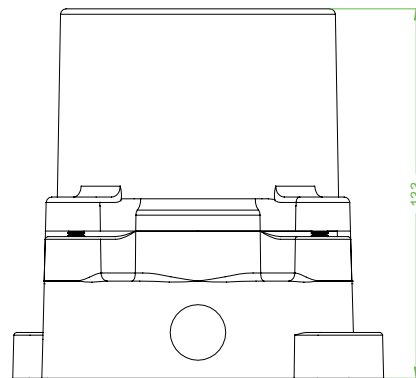
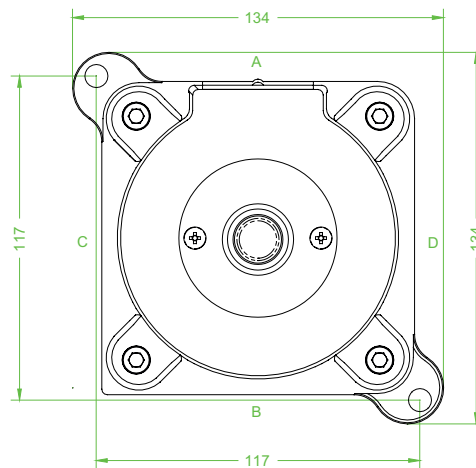




Features

- Lens color: green
- 134 mm x 134 mm x 133 mm
- Cast Iron
- Installation in Zone 1, Zone 2, Zone 21 and Zone 22
- Threaded cable entries
- Ex d certified

Dimensions (mm)



Technical data

Electrical specifications

Operating voltage	200 ... 250 V
Terminal capacity	2.5 mm ²
Function	LED indicator
Lens color	1 x green

Mechanical specifications


Height	134 mm
Width	134 mm
Depth	133 mm
Cover fixing	M6 stainless steel socket cap head screws
Degree of protection	IP65
Cable entry	metric threaded
Number of cable entries	1 x M20 in face A 1 x M20 in face B 1 entry plugged with an Ex d sealing plug
Material	
Enclosure	cast iron
Glass	toughened glass
Finish	zinc rich epoxy powder primer plus epoxy powder top coat
Seal	silicone O-ring
Mass	approx. 5.1 kg
Grounding	internal & external brass grounding terminals on base

Ambient conditions

Ambient temperature	-40 ... 55 °C (-40 ... 131 °F)
---------------------	--------------------------------

Data for application in connection with Ex-areas

EC-Type Examination Certificate	SIRA 02 ATEX 1310
---------------------------------	-------------------

Group, category, type of protection, temperature class	 II 2 GD Ex d IIC T6 Gb, Ex tb IIIC T80 °C Db (ta ... +50°C) Ex d IIC T5 Gb, Ex tb IIIC T95°C Db (ta ... +55°C)
International approvals	
IECEX approval	IECEX SIR 08.0061
GOST-R approval	GOST-R B00997
Conformity	
Degree of protection	EN 60529
General information	
Supplementary information	EC-Type Examination Certificate, Statement of Conformity, Declaration of Conformity, Attestation of Conformity and instructions have to be observed where applicable. For information see www.pepperl-fuchs.com .