



CE

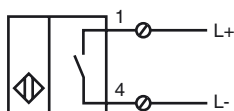
Model Number

CJ40-FP-N-P1

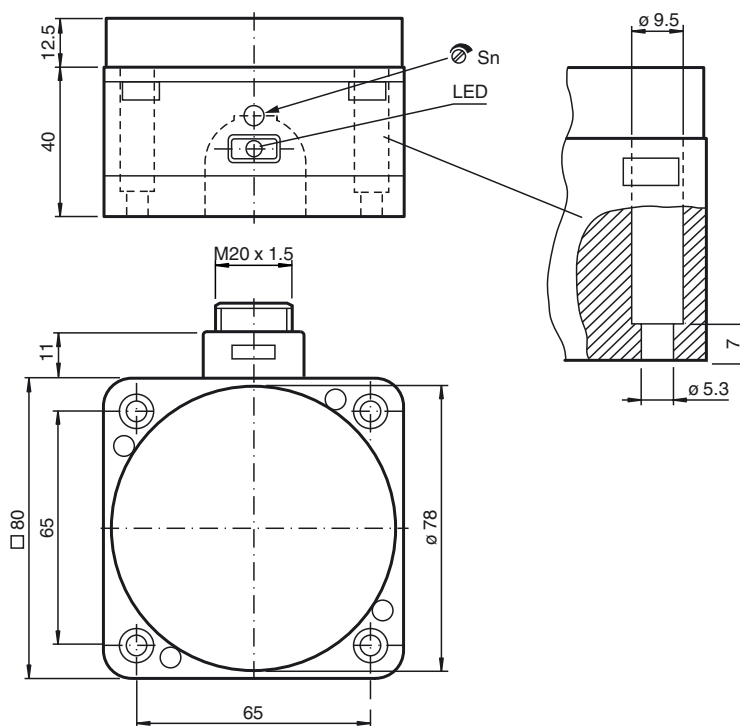
Features

- 40 mm non-flush
- The switching distance can be set over a wide range with the potentiometer

Connection



Dimensions



Technical Data

General specifications

Switching element function		NAMUR, NO
Rated operating distance	s_n	40 mm
Installation		non-flush
Output polarity		NAMUR
Assured operating distance	s_a	0 ... 32.4 mm

Nominal ratings

Nominal voltage	U_o	8 V
Switching frequency	f	0 ... 10 Hz
Current consumption		
Measuring plate not detected		≤ 1 mA
Measuring plate detected		≥ 2.4 mA
Switching state indication		LED, red

Standard conformity

EMC in accordance with	IEC / EN 60947-5-2:1999
Standards	DIN EN 60947-5-6 (NAMUR)

Ambient conditions

Ambient temperature	-25 ... 70 °C (-13 ... 158 °F)
---------------------	--------------------------------

Mechanical specifications

Connection type	screw terminals
Core cross-section	up to 2.5 mm ²
Housing material	PBT/POM
Sensing face	POM
Housing base	PBT
Protection degree	IP65

ATEX

Data for Ex areas

Effective internal inductivity	C_i	$\leq 140 \text{ nF}$
Effective internal inductance	L_i	$\leq 10 \text{ }\mu\text{H}$

Release date: 2013-04-09 12:07 Date of issue: 2013-04-09 011261_eng.xml