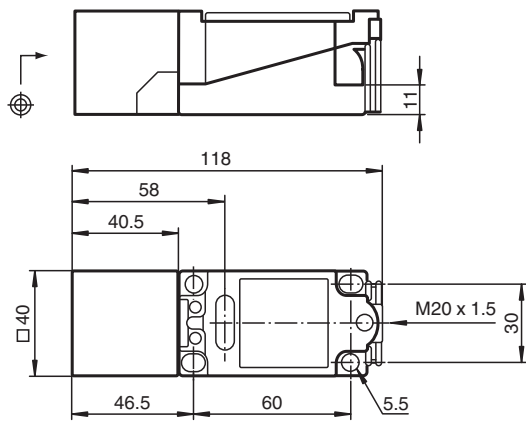


Inductive sensor NCB15+U1+U

- Comfort series
- 15 mm flush



Dimensions



Technical Data

General specifications

Switching function		Normally open/closed (NO/NC)
Rated operating distance	s_n	15 mm
Installation		flush
Output polarity		AC/DC
Assured operating distance	s_a	0 ... 12.15 mm
Reduction factor r_{Al}		0.28
Reduction factor r_{Cu}		0.25
Reduction factor r_{304}		0.75
Output type		2-wire

Nominal ratings

Operating voltage	U_B	20 ... 253 V
Operating voltage DC	U_B	20 ... 300 V
Switching frequency	f	0 ... 25 Hz
Hysteresis	H	typ. 3 %
Short-circuit protection		pulsing
Voltage drop	U_d	≤ 4 V

Release date: 2020-12-10 Date of issue: 2020-12-10 Filename: 086434_eng.pdf

Refer to "General Notes Relating to Pepperl+Fuchs Product Information".

Pepperl+Fuchs Group
www.pepperl-fuchs.com

USA: +1 330 486 0001
fa-info@us.pepperl-fuchs.com

Germany: +49 621 776 1111
fa-info@de.pepperl-fuchs.com

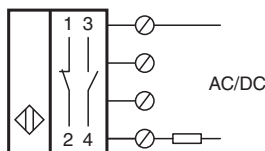
Singapore: +65 6779 9091
fa-info@sg.pepperl-fuchs.com

PEPPERL+FUCHS

Technical Data

Momentary current (20 ms, 0.1 Hz)	0 ... 3000 mA	
Operating current	I_L	5 ... 500 mA
Off-state current	I_r	0 ... 2.5 mA typ. 1.5 mA
Time delay before availability	t_v	≤ 100 ms
Operating voltage indicator	LED, green	
Switching state indicator	LED, yellow	
Compliance with standards and directives		
Standard conformity		
Standards	EN 60947-5-2:2007 IEC 60947-5-2:2007	
Approvals and certificates		
UL approval	cULus Listed, General Purpose	
CSA approval	cCSAus Listed, General Purpose	
CCC approval	Certified by China Compulsory Certification (CCC)	
Ambient conditions		
Ambient temperature	-25 ... 70 °C (-13 ... 158 °F)	
Mechanical specifications		
Connection type	terminal compartment	
Core cross-section	up to 2.5 mm ²	
Housing material	PBT	
Sensing face	PBT	
Degree of protection	IP68	

Connection



Accessories

	V1-M20-80	Receptacles, M12/M20; plastic version
	V1-G-2M-PUR	Female cordset single-ended M12 straight A-coded, 4-pin, PUR cable grey
	V1-W-2M-PUR	Female cordset single-ended M12 angled A-coded, 4-pin, PUR cable grey