



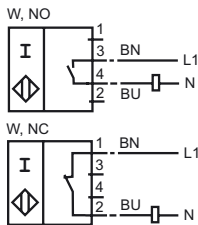
### Model Number

NJ20+U1+W-T

### Features

- Temperature range  
-25 ... 100 °C
- 20 mm not embeddable

### Connection



### Accessories

#### V1-G

Non pre-wired cable socket

#### V1-W

Non pre-wired cable socket

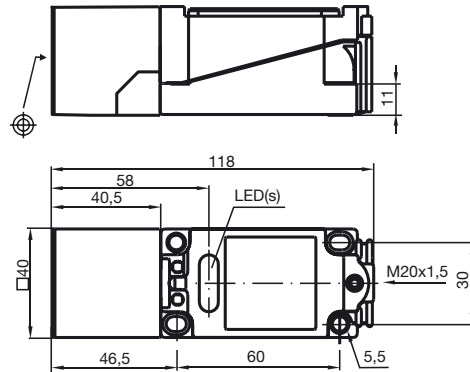
#### MHW 01

Mounting aid

#### V1-M20-80

Receptacles

## Dimensions



## Technical Data

### General specifications

Switching element function		ACMake/Break function
Rated operating distance	$s_n$	20 mm
Installation		not embeddable
Output polarity		AC
Assured operating distance	$s_a$	0 ... 16.2 mm
Reduction factor $r_{AI}$		0.4
Reduction factor $r_{Cu}$		0.3
Reduction factor $r_{V2A}$		0.85

### Nominal ratings

Operating voltage	$U_B$	20 ... 253 V <sup>1)</sup>
Switching frequency	$f$	0 ... 25 Hz
Hysteresis	$H$	typ. 3 %
Voltage drop	$U_d$	≤ 5 V
Momentary current (20 ms, 0.1 Hz)		0 ... 4000 mA
Operating current	$I_L$	10 ... 500 mA
Off-state current	$I_r$	0 ... 3 mA typ.
Operating voltage display		LED, green
Indication of the switching state		LED, yellow

### Ambient conditions

Ambient temperature	-25 ... 100 °C (248 ... 373 K)
---------------------	--------------------------------

### Mechanical specifications

Connection type	terminal compartment
Core cross-section	up to 2.5 mm <sup>2</sup>
Housing material	PBT
Sensing face	PBT
Protection degree	IP68

#### Note

<sup>1)</sup> In the temperature range below 0 °C, permissible operating voltage  $U_B$  80...253 V  
Safety fuse ≤ 2 A (quick-blow) according to IEC 60127-2 Sheet 1  
Recommendation: after a short circuit, check that the device is functioning correctly.

### Compliance with standards and directives

Standard conformity	
Standards	EN 60947-5-2:2007 IEC 60947-5-2:2007

### Approvals and certificates

CCC approval	Certified by China Compulsory Certification (CCC)
--------------	---