



ST03 Box limit switch

Intrinsically safe ATEX/IECEX



The Limit Switch Box SENDERTOP ST3 series is designed to provide an instant and reliable feedback signal for the position of a valve actuated or manually operated in Hazardous area. Exia intrinsically safe type of protection.

Aluminum Enclosure and SS AISI-316

High visibility green / red status indicator. Precise cam adjustment, through "Miller" system. Terminal block with 8 positions.

Electrical inputs M20x1.5 or ½ "NPT-F. Possibility to mount a wide range of limit switches.



GENERAL CHARACTERISTICS

Materials

Enclosure : - Low copper content Aluminum with double layer of black epoxy coating.

- CF8M (AISI-316)Stainless Steel

Shaft : Stainless Steel

Indicator : Polycarbonate & ABS

Spring :Stainless Steel

Cams : ABS

O-ring : NBR / Silicone

Internal Switches

Mechanical SPDT gold plated 0,1A@30VDC

Magnetic reed SPDT 0,25A@175VDC

Inductives NAMUR, 2 wires

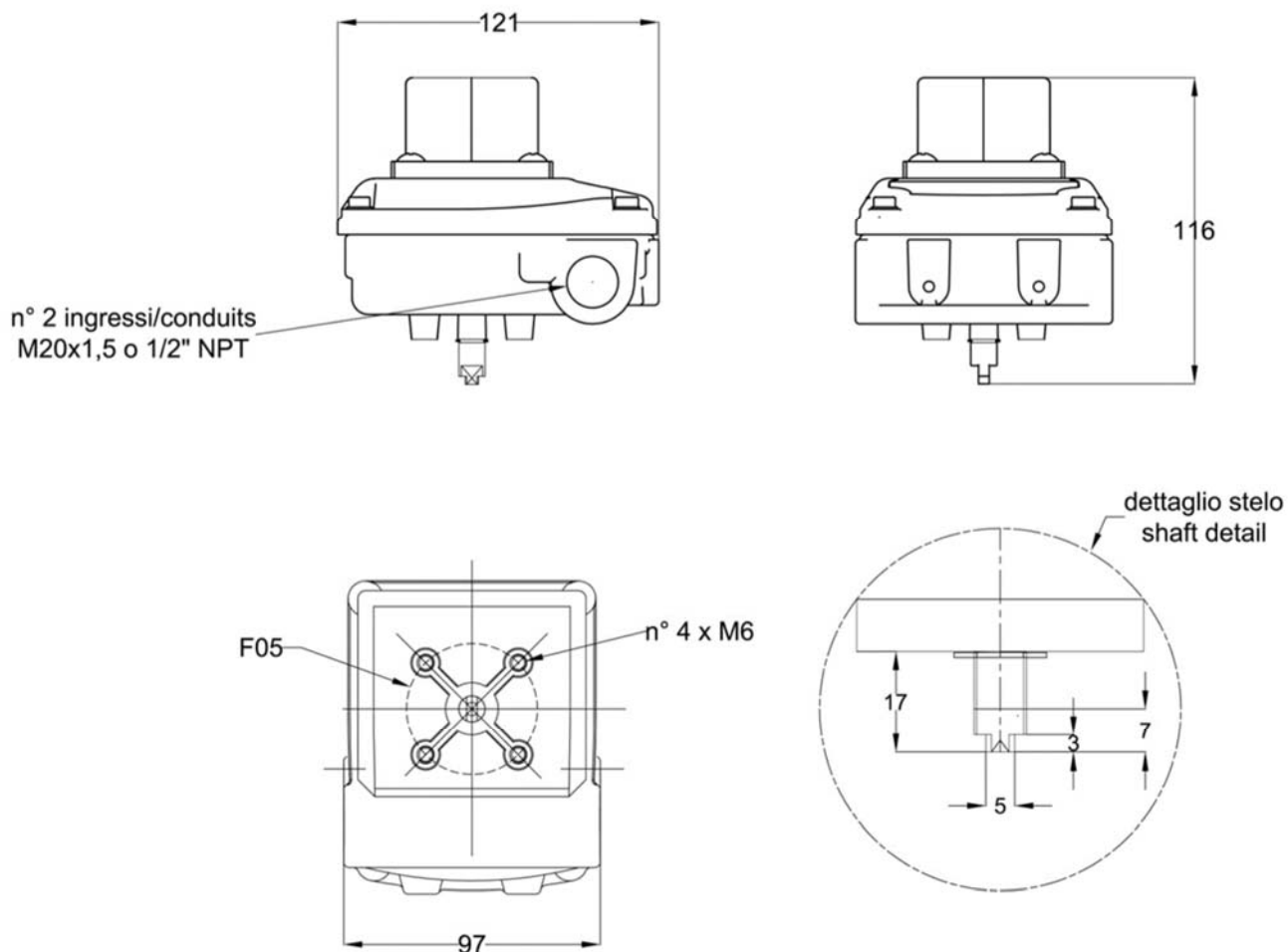
Ambient temperature

standard : -20°C/+80°C (NBR)

on request : -40°C/+80°C (Silicone)

NAMUR bracket for mounting on actuator with hub spacing 30x80 e 30x130, pinion h. 20 and 30mm, available on request in painted steel or stainless steel

Dimensions



The contents of this publication are presented for information purpose only. We reserve to modify or improve the designs or specifications of such products at any time without notice

OMC s.r.l.

Via Galileo Galilei, 18 - 20060 Cassina de Pecchi (MI) - ITALY
 Tel.: (+39) 02.95.28.468 / Fax: (+39) 02.95.21.495

E-MAIL : info@omcsrl.com / www.omcsrl.com