



NIVOROTA

ROTARY PADDLE SWITCH

New type



- Level switch for powders and free flowing solids
- Stub or cable extended versions
- Double, sealed bearings
- Automatic motor shut off
- Dust Ex version

APPLICATION

The NIVOROTA 6□□-□ series of rotary paddle level switch is featuring robust design for detecting level of lumpy or powdery materials and granules. Mounted to tanks, silos and hoppers it can monitor and control level, filling and emptying of stored materials such as stone, fly ash, sand, coal, feed, beet slice, etc. A small power electric motor drives the paddle, which rotates freely in the absence of the material. When the paddle is impeded by the material reaching it, the motor will be switched off by the same time triggering a dry contact switch. When the material level drops, the paddles run free again, the motor is reactivated and the control switch returns to its original position.

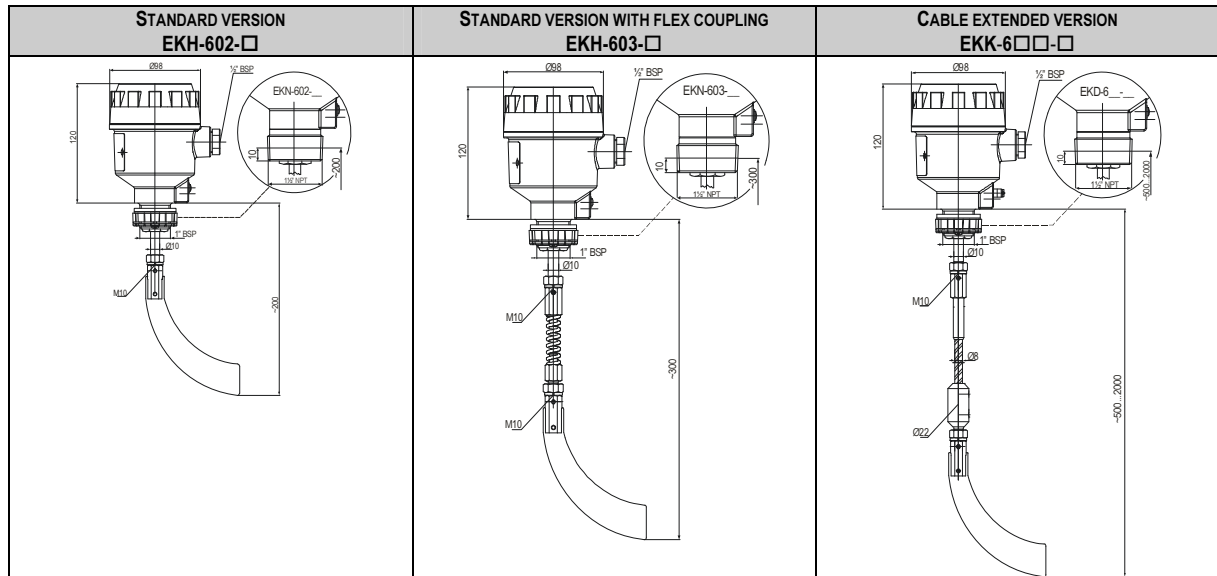
INSTALLATION

The device should be screwed in into a BSP 1" or NPT 1½" female process connection. The single vane paddle will pass through the BSP 1" hole. If the thread is BSP 1½" an EAP-601 type adapter should be used. If the hole is even wider or other considerations warrant it the EAM-601 type mounting plate can be used. When mounting on a console use the 1" sized washers shipped along. The 1" nut is to be locked with the screw to avoid loosening. Adjust the position of the torque spring according to the density of the material (for higher density higher torque setting should be used).

TECHNICAL DATA

TYPE	EK□-6□□-□
Insertion length	max. 2m
Medium specific gravity	min. 0.5 g/cm ³
Ambient temperature	-10...+70 °C
Medium temperature	-10...+70 °C
Power supply	230 V AC 50/60 Hz
Power consumption	3 W
Output	SPDT relay, 250 V AC, 5 A
Revolution per minute	1 / minute
Process connection	1" BSP, 1½" NPT
Electrical connection	½" BSP cable gland for Ø 8..12 mm cable, terminal for 0,5-2,5 mm ² wire cross-section
Ingress protection	IP 65
Electrical protection	Class I.
Housing material	Paint coated aluminium
Dust Ex certificate	ATEX II 1/2 D IP65 T85°C
Mass	1.7 kg, cable: 0.6 kg/m

DIMENSIONS



ORDER CODE (NOT ALL COMBINATIONS ARE POSSIBLE)

NIVOROTA E □ □ - 6 □ □ - □ *

FUNCTION	CODE	VERSION	CODE	INSERTION	CODE	INSERTION	CODE	POWER SUPPLY / Ex	CODE
Switch	K	Standard / 1" BSP	H	0 m	0	0 dm	0	230 V AC	1
		Standard / 1½" NPT	N	1 m	1	1 dm	1	110 V AC	2
		Cable / 1" BSP	K	2 m	2	2 dm	2	24 V AC**	3
		Cable / 1½" NPT	D			3 dm	3	230 V AC / Ex	5
						4 dm	4	110 V AC / Ex	6
						5 dm	5	24 V AC / Ex**	7
						6 dm	6		
						7 dm	7		
						8 dm	8		
						9 dm	9		

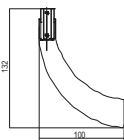
* the order code of an Ex version should end in 'Ex'

** Under development

ACCESSORIES TO BE ORDERED:

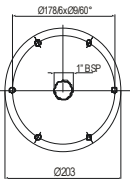
Padle:

EAP-611



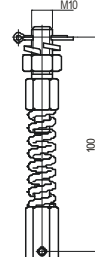
Mounting plate:

EAM-601



Flex coupling:

EAS-601



Adapter:

EAA-601

